

VISION FLAT ROD 2000 MM



2000 mm flat rod with preassembled control mechanism. Can be used for Vision Outside (Index Code 1-008.05) and Vision Inside (Index Code 1-008-13).

Possible to mount latch points every 100 mm.

材质

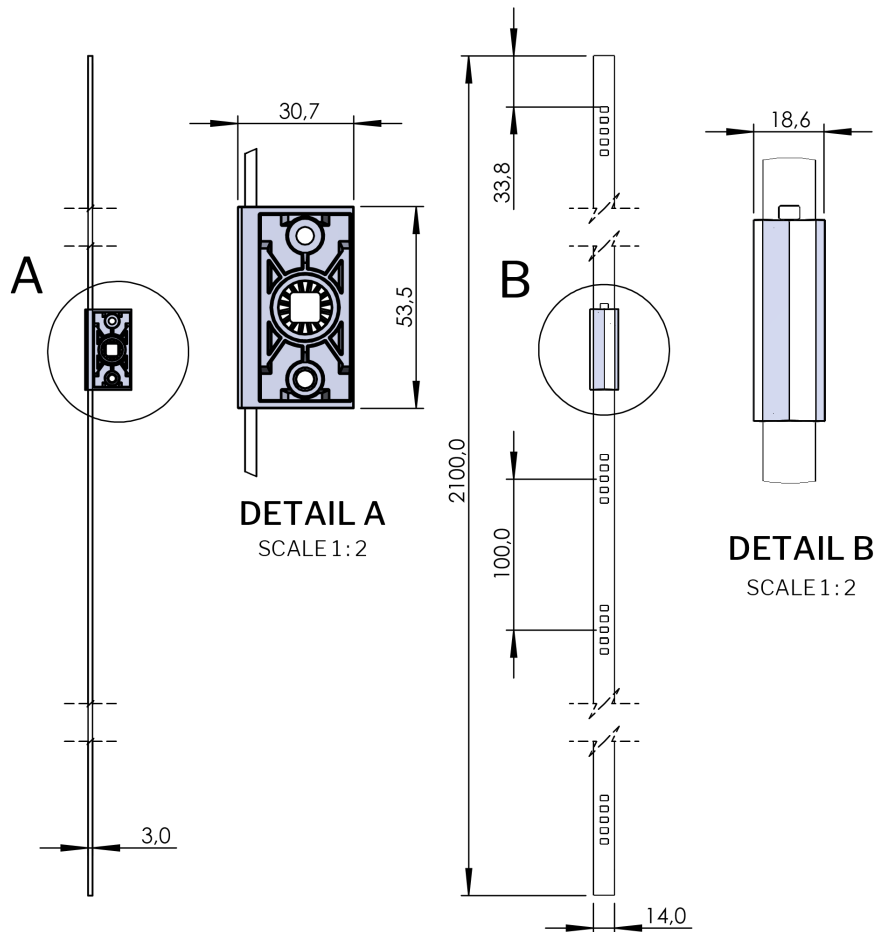
Control mechanism: 尼龙6+30%玻纤

Rod: 不锈钢304

相关产品

Rod latch systems: 1-008.05, 1-008.13

索引编号见网站 industrilas.com



P/N	Material rod	Material control mechanism
1301-000000-2000	钢, 镀锌	锌合金, 镀锌
1301-010000-2000	不锈钢 316	Zinc die cast with surface treatment "Highlander"
1351-000000-2000	钢, 镀锌	尼龙6+30%玻纤